

# Prowess International (P) Ltd.

*Designers of Steely Ambition... ..*



100T EAF

MIEL, Raigarh, India



35T EAF

AISRM, Ludhiana, India



60T EAF

Jai Balaji, Durgapur India

## Works

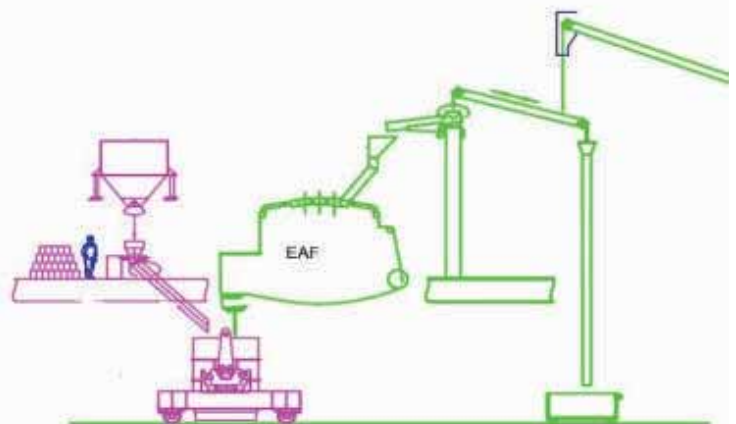
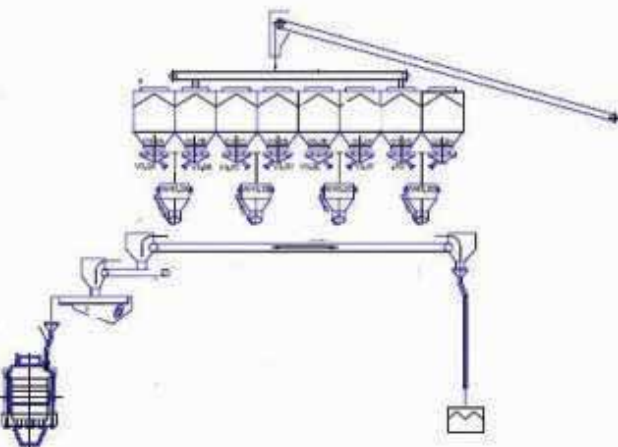
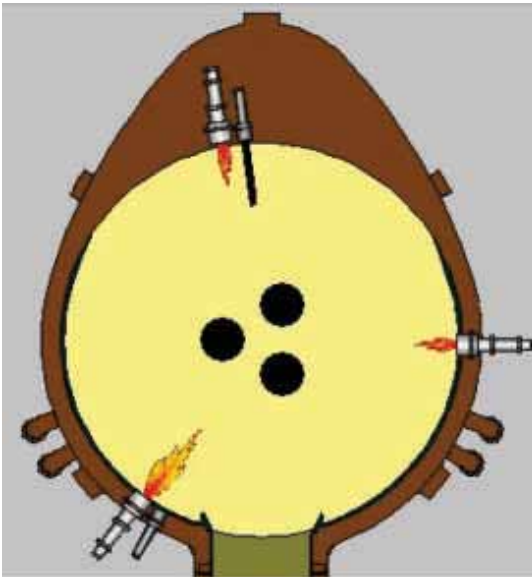
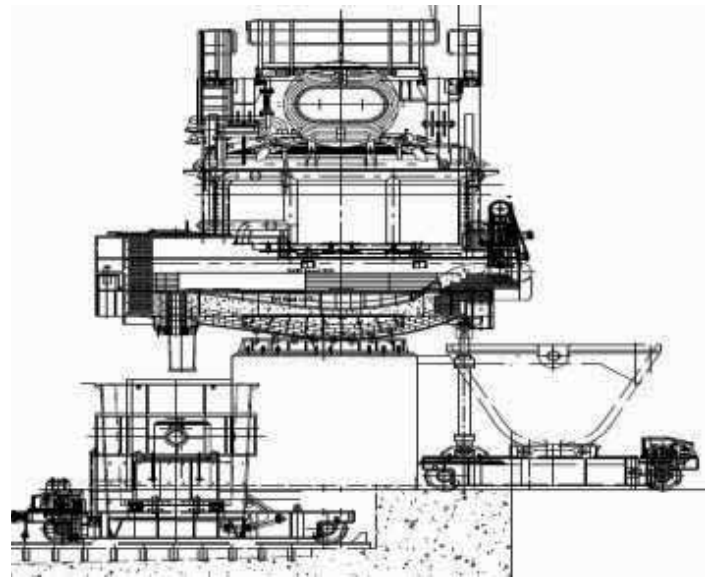
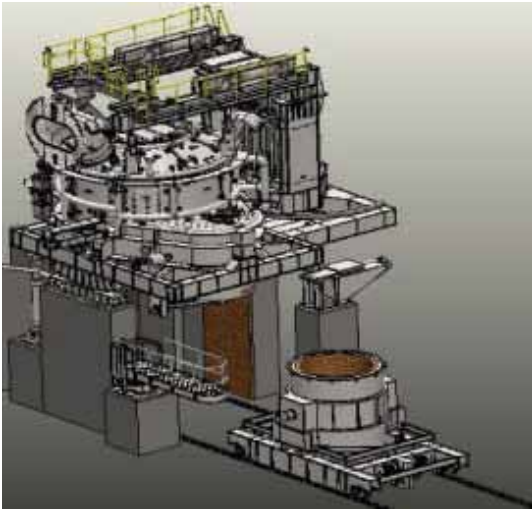
### Prowess International (P) Ltd.

A-18, 6th Phase, Industrial Area, Adityapur,  
Jamshedpur- 832108, Jharkhand, India.  
Phone: 0657-2203441, Telefax: 0657- 2203442;  
Website : [www.prowessinternational.co.in](http://www.prowessinternational.co.in)  
Mail us: [support@prowessinternational.co.in](mailto:support@prowessinternational.co.in)

## Corporate Office

### Prowess International (P) Ltd,

Office No.517(17A), 5th Floor  
"THE TERMINUS", B.G.12, Action Area 18  
New Town, Kolkata 700156, West Bengal, India  
Website [www.prowessinternational.co.in](http://www.prowessinternational.co.in)



## The Company

Prowess International (P) Limited, is an ISO 9001:2008 Company with registered office in Jamshedpur and corporate office at Kolkata was founded in 2003. Prowess has transformed itself into a company of international reputation since then.

For more than a decade we are one of the World leaders in the field of **Design, Engineering & Supply of Complete Plants, Equipment, Systems & Processes for Iron & Steel making.**

**Prowess excels in providing Customised Solution to its Customers, assessing their requirement.**

**We are well equipped to execute EPC Projects of Steel Melt Shop (EAF-LRF-VD-CASTER Route) upto One (1) Million Tonne Annual Capacity.**

Our team consists of qualified & experienced Engineers, Designers & Managers having strong shop-floor exposure which enables us to provide Operation & Maintenance friendly solutions.

At Prowess...**Learning** is a way of Life with **Innovation** at it's core.

Our workshop (spread over 3 Acres of Land at Industrial Area, Adityapur, Jamshedpur, India) is facilitated with skilled & competent workforce, quality assurance system, wide range of manufacturing machines and round the clock working facilities.

Prowess being the **only workshop in India** where all the equipment like EAF, LRF, VD, AOD etc. well fabricated, tested, fully assembled, marked and then dismantled for dispatch ensuring **faster site erection with zero surprises.**

We are also into manufacturing of various **Mechanical equipment/ spares & Technological Steelwork** as per the basic / detail engineering provided by Customers.

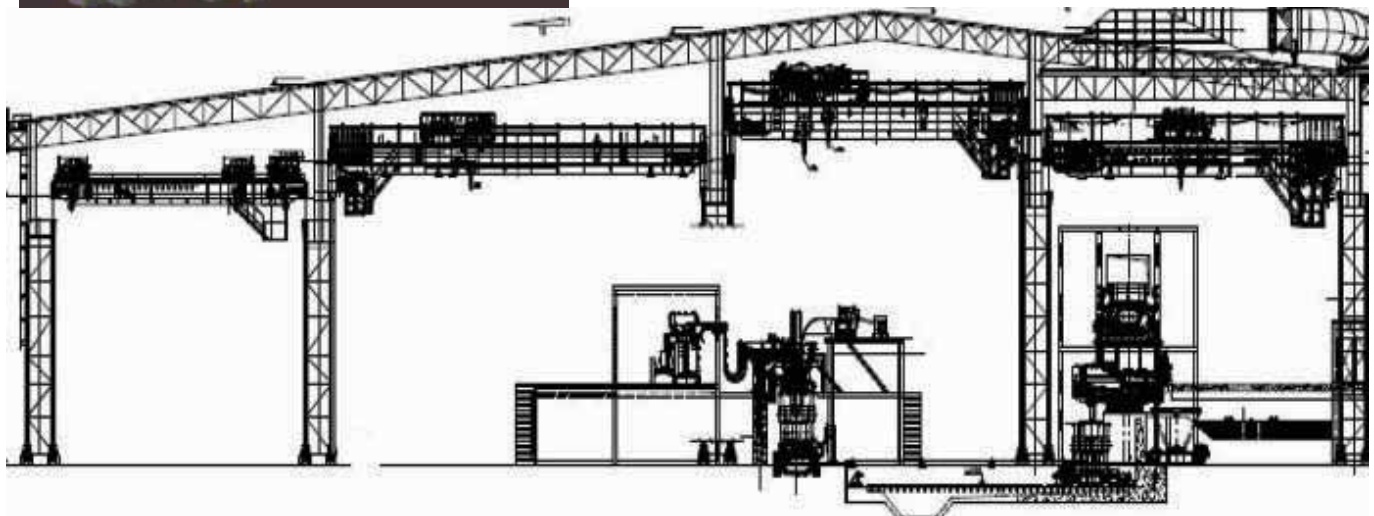
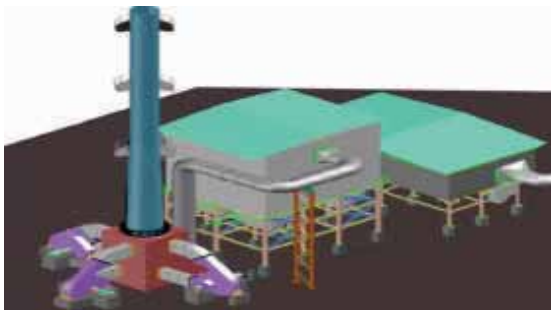
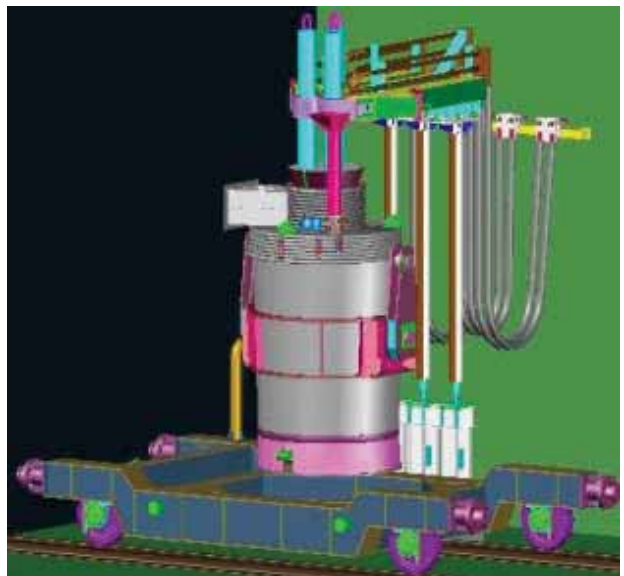
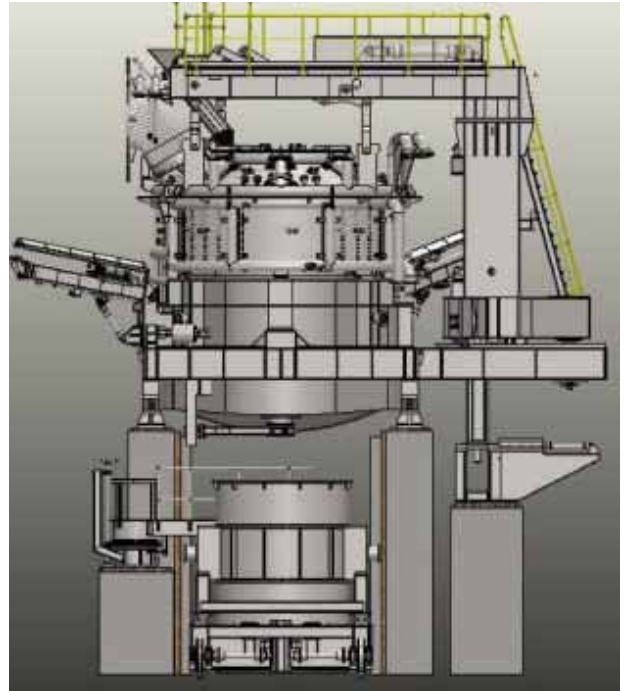
## Project Completed Successfully

S.n.	Client	Project
1	<b>Monnet Ispat &amp; Energy Ltd., Raigarh, India</b>	2x100T EAF, FES for LRF also RMHS, Carbon Injector
2	<b>Muscat Steel Industries Co. LLC, Muscat, Oman</b>	<b>EPC PROJECT : 200,000TPA STEEL MELT SHOP</b> 1x30T EAF, 1x30T LRF, FES, 3 STAND 6/11 Caster, Water Complex, Oxygen Plant ,OMS, Lance Manipulator, Over head Crane & Carbon Injector.
3	<b>Arora Iron &amp; Steel Rolling Mills, Ludhiana, India</b>	1x35T EAF ,1x35T LRF, 1x35T VD with FES. Carbon Injector, OMS, Lance Manipulator,
4	<b>Adhunik Metaliks Ltd., Rourkela, India</b>	1x35T EAF, 1x35T LRF Oxygen Management System
5	<b>Jai Balaji Industries Ltd., Durgapur, India</b>	1x60T EAF, 1x60 T LRF , FES
6	<b>Star Wire India Ltd., Ballabgarh, India</b>	1x25T EAF , 1x25T LRF
7	<b>Shyam Steel Ltd., Durgapur, India</b>	1x30T EAF
8	<b>Rotocast Industries Ltd. Raipur, India</b>	1x12T LRF, LTC with tilting arrangement.

# Technologies

Prowess provides cutting edge technologies for :

- Electric Arc Furnace (EAF)
- Ladle Refining Furnace (LRF)
- Vacuum Degassing / Vacuum Oxygen De-carburizing Unit (VD/VOD)
- Energy Optimizing Furnace (EOF)
- Argon Oxygen De-carburization Unit (AOD)
- Fume Extraction & De dusting System
- Oxygen management System for EAF, EOF, VOD, AOD, BOF etc.)
- Carbon Injection System
- Launder Car, Transfer Cars & Ladle Tilter
- Various Equipment for Iron & Steel Mills viz. Charging buckets (clamp shell type), DRI/Flux/ Falloys Addition system, Gunning machine, Tundish & Tundish car, Turret , Caster mould jacket, Ladle cover , Lance Manipulator , Turn Over Cooling Bed, Water cooled panels & Ducts , Copper Panel and Steel Panel as per clients need and process requirement



# Electric Arc Furnaces

## Salient Features of EAFs by Prowess :

- UHP / High Power EAFs
- Power Conducting Arms / Conventional Arms for Electrodes
- State of the Art Digital Electronic Regulation System (PLC based) with High response Proportional Hydraulics
- Eccentric Bottom Tapping (EBT)/ Spout Tapping
- Customized Oxygen/Carbon Management System as per Charge Mix



100T EAF, Monnet Ispat & Energy Ltd., Raigarh, India



100T EAF, Monnet Ispat & Energy Ltd., Raigarh, India



35T EAF, Muscat Steel Industries Co. LLC, Muscat, Oman



60T EAF, Jai Balaji Industries Ltd., Durgapur, India



35T EAF, Adhunik Metaliks Ltd. Rourkela, India



35T EAF, Arora Iron & Steel Rolling Mills, Ludhiana, India

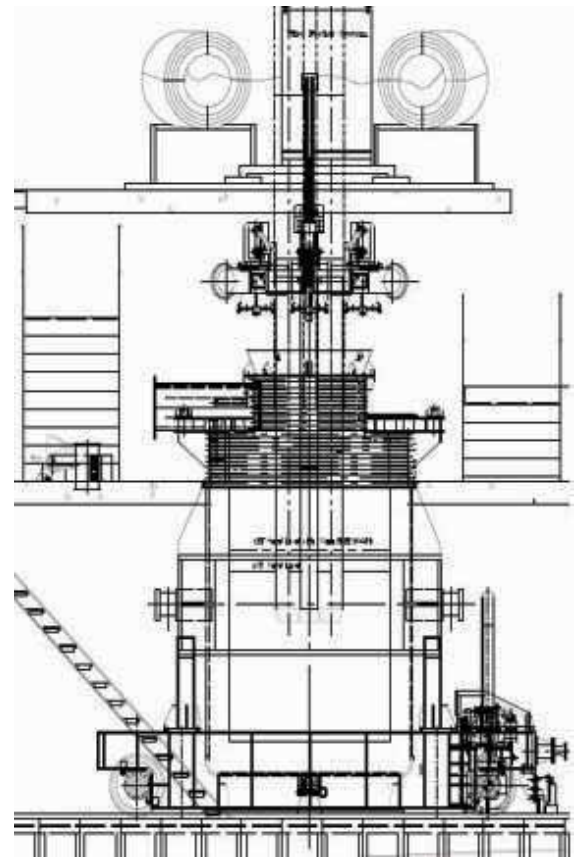


45T EAF, Sona Alloys Pvt. Ltd., Lonand, India

# Ladle Furnaces

Salient Features of Prowess LRFs :

- Single Station or Twin Station Type Ladle Refining Furnace
- Improved design of Main Roof to minimize stickers
- Electrodes and Roof can be lifted even after Power Failure
- State of the Art Digital Electronic Regulation System (PLC based) with High response Proportional Hydraulics



Ladle Furnace Roof at Prowess WORKSHOP

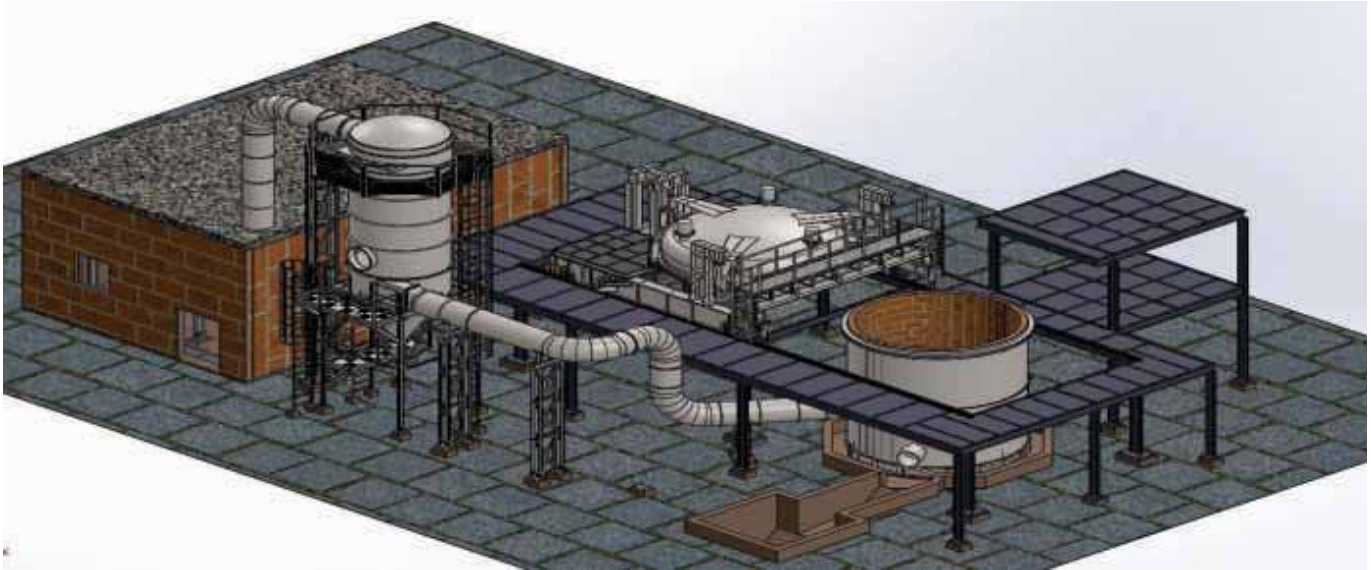


Ladle Furnace at AISRM, Ludhiana, India



Ladle Refining Furnace at Rotocast Industries Limited, Raipur, India

# Vaccum Degassing Unit



## Salient Features of Prowess Vacuum Degassing Unit :

- Fixed Vessel with movable Cover trolley / Vessel on Transfer car with Fixed Cover design
- Dry Mechanical Vacuum pump with Gascooler + Cyclone + Bag House OR Steam Ejectors with Cyclone, Condensers & Hot-well OR Combination of both for Vacuum
- Complete Automatic Operation through PLC
- 3 or 4 point Vessel Cover lifting designs
- PLC controlled stirring during degassing process



Vacuum Tank Unit



Vacuum Tank Cover with car



Vacuum Tank Cover Hydraulic System



VD Hot commissioning



VD Baghouse

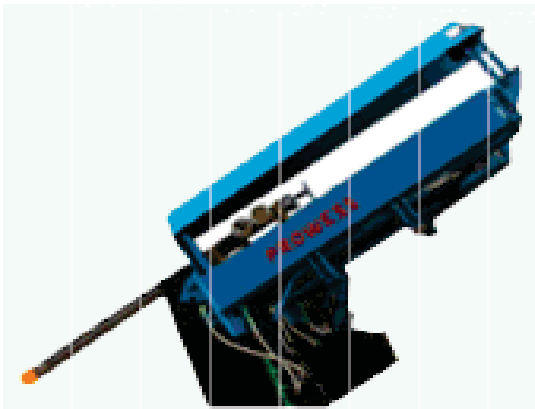
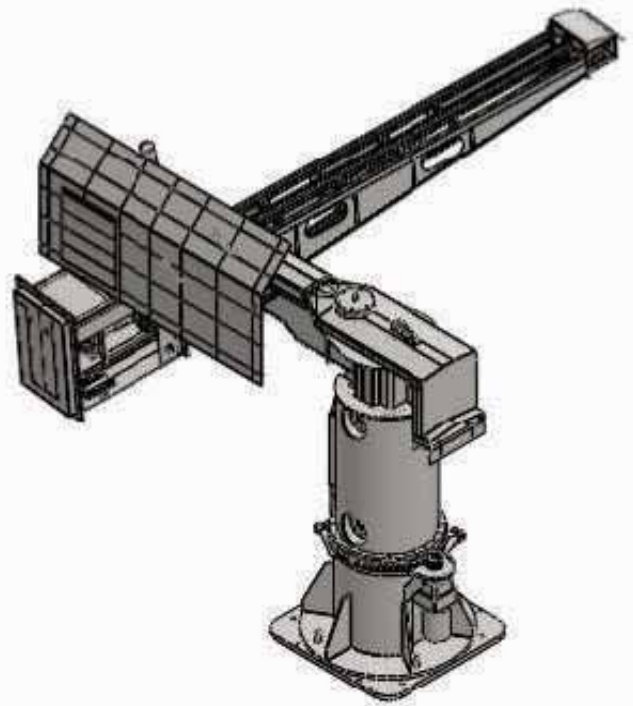


VD Pump house

# Oxygen Management Systems

Prowess is the First Name In India With Chemical Energy Solutions For Electric Arc Furnaces

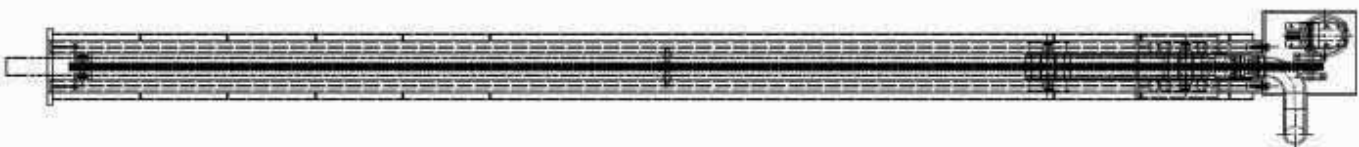
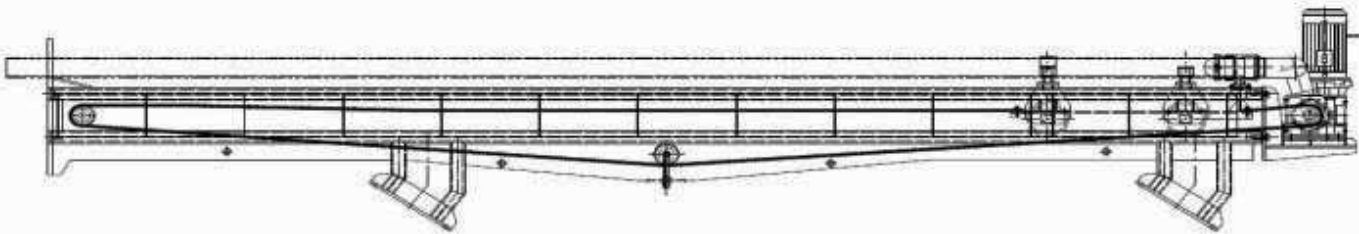
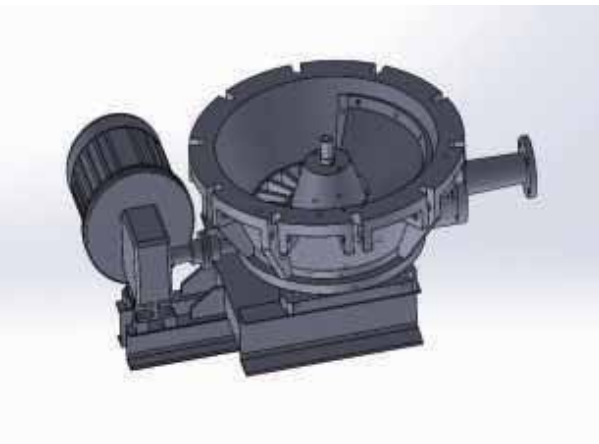
- Customized Oxygen Injection System to Enhance Productivity
- Versatile Oxy-Fuel burners for augmenting scrap melting  
Maximum life Oxygen Lance
- High Life Copper Panel that can withstand the impact of falling scrap and protects the lances from breakages.
- Fully Mechanized efficient and easy to handle Lance Manipulators.
- Retractable Lance can work on different Bath Heights with same efficiency.
- System Includes Oxygen Valve Stand, PLC, HMI and Operators' control desk.





# Carbon / DRI Injection System

- Designed to sustain the specific flow-rates required by the different lancing methods in use
- Carbon/ DRI Fines of size 1-5 mm.
- PLC Controlled
- Load cell arrangement for recording actual weight of fines.
- Various combination possible with Oxygen Lance.



# Fume Extraction Systems



Air Cooled Duct



Water cooled Fixed Elbow



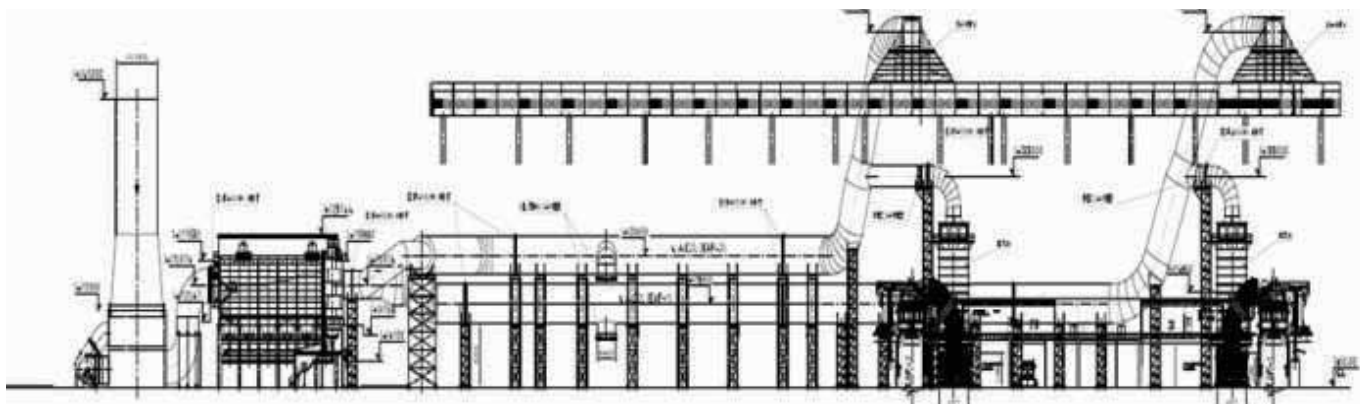
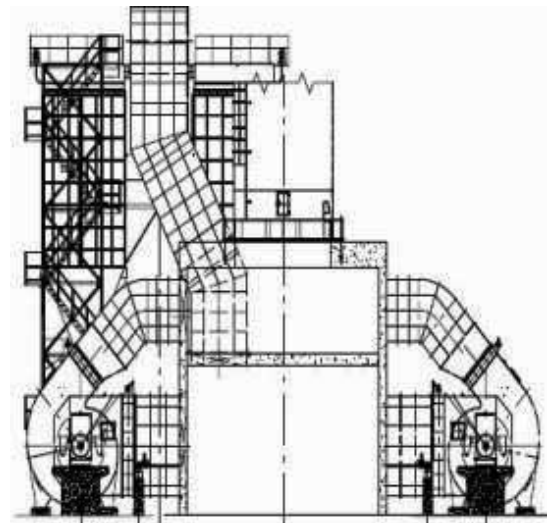
Fumes Exhausting System Outdoor



Mixing Chamber

## Fume Extraction System

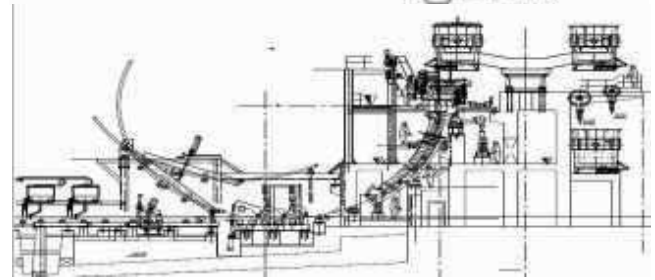
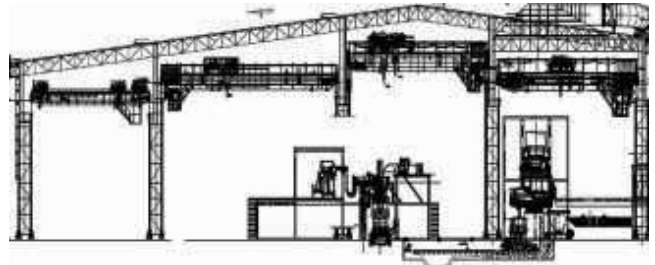
- Primary & Secondary Fume Extraction System for EAF/LRF/EOF/AOD
- Secondary extraction through Roof canopy
- Gas cooling through Gas Cooling Tower with High temperature water quenching or Forced Draft Coolers or Natural Hair Pin Coolers
- Bag House : Pulse Jet Type or Reverse Air Bag House (RABH)
- VVVF/ Soft starter start up of ID Fan
- Complete Auto Operation through PLC with optimized Power consumption
- Pneumatically operated feedback controlled dampers



# EPC PROJECT : 200,000TPA STEEL MELT SHOP AT MUSCAT STEEL MELTING CO. MUSCAT, OMAN

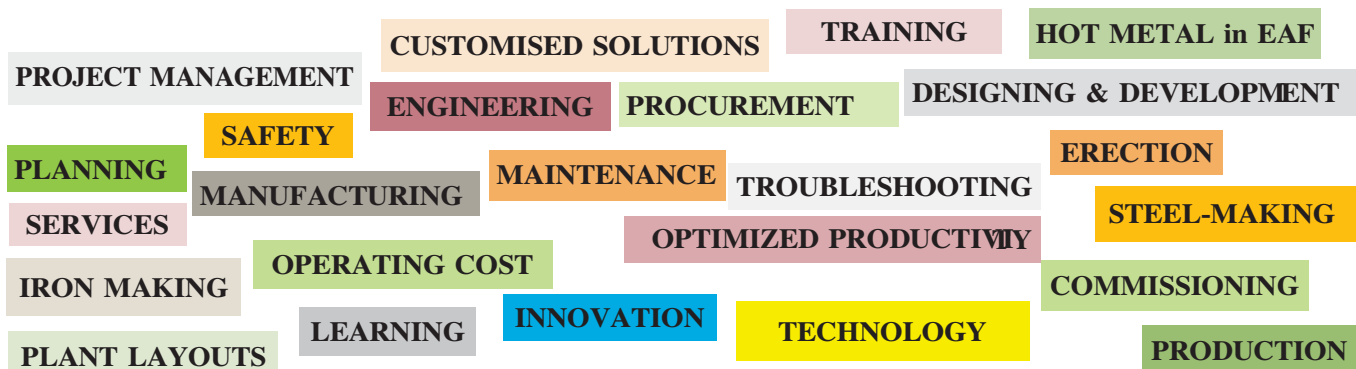


S.No	MAJOR FACILITIES
1	<b>30T / 30MVA Electric Arc Furnace</b>
2	<b>30T/ 6MVA Ladle Refining Furnace</b>
3	<b>Primary &amp; Secondary Fume Extraction Systems for 30T EAF &amp; 30T LF</b>
4	<b>6/11 mtr. Radius x 3 Strand Billet Caster</b>
5	<b>Oxygen Plant (1200Nm<sup>3</sup>/Hr)</b>
6	<b>Material Handling equipment</b> <ul style="list-style-type: none"> <li>- Various EOT cranes of 21 Mtr Span</li> <li>- 75T/20T, 40T/10T, 20T/5T, 20T, 15T</li> <li>- Magnets</li> <li>- Circular Magnet for Scrap Lifting</li> <li>- Square Magnet with Lifting Beam</li> <li>- Hydraulic Grab for Scrap Handling</li> </ul>
7	<b>Auxiliary Equipment</b> <ul style="list-style-type: none"> <li>- Water pumping Station</li> <li>- Cooling Towers</li> <li>- Water Treatment Plant</li> <li>- Air Compressors with Air Dryers</li> <li>- Horizontal and Vertical Ladle Preheaters</li> <li>- Machine Shop Equipment</li> </ul>



# Technical Services

- Conceptualization of Steel Melt Shop Plant Projects (Selection of Equipment with Sizes & Capacity / Development of Plant Layouts / OPEX/CAPEX) .
- Complete Operation & Maintenance of Steel Melt Shop with Optimized Productivity & Operating Cost.
- Customized Technical Solutions for Steel Melt Shop- Operational, Maintenance, Automation & Environment Management Practices for productivity enhancement, quality improvement, better equipment availability , better environment management & enhanced contribution by optimization of operating cost.
- Distinguished expertise in EAF Steelmaking process with Hot metal as input enables us to serve our customers at the best.
- Total Project Management
  - Project Safety Management
  - Project Schedule Management
  - Project Organizational Management
  - Project Communication Management
  - Project Cost Management
  - Project Reporting
  - Project Procurement Management
  - Project Quality Management
- Erection & Commissioning of Steel Plant Equipment ( Mechanical, Electrical & Automation)
- Engineering Supervision of Erection & Commissioning of Steel Plant Equipment ( Mechanical, Electrical & Automation)
- Training Services
  - Class Room Training & Onsite Training
  - Know your Equipment
  - Operating Practices  
(EAF/EOF/LRF/AOD/VD/VOD/  
Billet/Bloom Caster)
  - Maintenance Practices -  
Main equipment , Auxiliaries & Utilities Equipment.
  - Safety Practices
  - Trouble-shootings



## Technical Services At GIAD Steel, Sudan

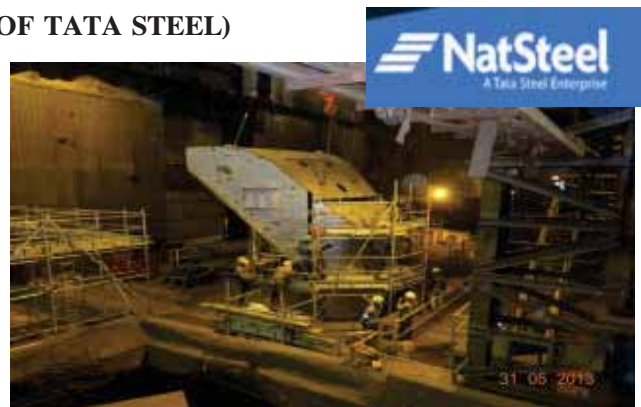
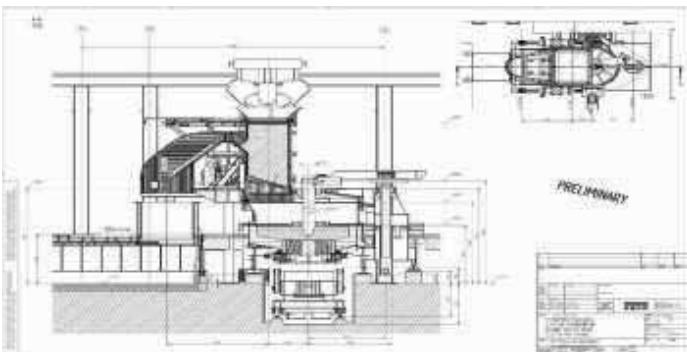


**OPERATION & MAINTENANCE OF STEEL MELT SHOP**  
**30T EAF, 30T LRF, 6/11 MTR x 2 STRAND CASTER & RE - BAR MILL (35T/HR)**

- **PRODUCTIVITY ENHANCED BY MORE THAN 100% WITHIN 6 MONTHS**



- **ERECTION & COMMISSIONING OF 90T SHAFT FURNACE WITH FUME EXTRACTION SYSTEM AT NAT STEEL , SINGAPORE (AN ENTERPRISE OF TATA STEEL)**



# Assembly & Testing

## Assembly of EAF & LF

Main Equipment are assembled in shop to ensure faster site erection with zero surprises.

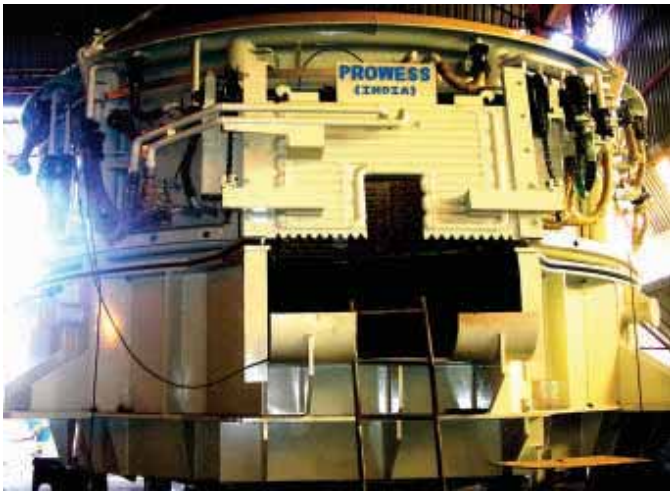
## Pressure test

Medium Hydraulic Oil, Water & Air up to 250 Bar Max Pressure.

## Functional Test

Complete facility of 24 V DC, 220V & 440 V AC power source.

- Motor Forward/ Reverse
- Actuated valve operation
- Wheel movement
- Gear Box Trial run & Speed Check



## MANUFACTURING OF MECHANICAL EQUIPMENT & SPARES

We are also into manufacturing of various equipment & spares based on Basic/Detail engineering provided by customers for various units. Such as :

S.No	Units	Equipment & Spares
1	Blast Furnaces	Top Charging-Gimbal, Material Seal Gate, Dust Catcher, Scrubbers, Demister, Level Switch Tank, Rocking Runners, Bustle Main Shell Rings, Silencers, Parts of Mud Gun and Drill Machines, Blowing Stock, Runners, Slag Boxes, Injection Line and Transport Lines etc.
2	DRI Plants	Kiln Shell, Kiln Discharge Hood, Cooler Feed Chute, Spring Plate, Kiln Support Roller etc.
3	Sinter Plants	Sinter Cooler Car, Distribution & Charge Transfer Chute (DCTC Chute), Central Shaft, Stone Box, Rotary Chute, ID Fan Impeller, Sinter Cooler Hood, Cooler Car etc.
4	Pelletisation Plant	Pelletizing Disc, Pellet Car, Flap Gate, Relief Valve etc.
5	Coke Oven Plant	Quenching Wagon, Door Diaphragm, Whirl Body, Rail for End & Middle Gate, Water Spray Pipe Assemblies etc.
6	Lime Plant	Reversible Trap Assembly, Common Filter etc.
7	BOF/LD Furnaces	Nitrogen Ring, Swivel Wheel Saddle, Hood Flux Chute, Electrode Spray Ring, Radiation Hood, Pressure Relief Door, Water Cooled Roof, Quencher, Skirt, Cooling Ring, Movable Ladle Covers, Ladle & Slag Pot Transfer Car etc.
8	Cold Rolling Mills	Snout Horns, Sink Roll Arm, Hot Air Dryer etc.
9	Hot Rolling Mills	Coil Peeler, Furnace Charging & Discharging Door, Translation Flame, Top Hood etc.
10	Electric Arc Furnaces	Electrode Arm's, Roof, Split Shell, Bottom Shell, Oxygen Lances, Water Cooled Ducts, Copper & MS Water cooled Panels, Launder Car, Bell Arm, Scrap Buckets etc.
11	Energy Optimizing Furnaces	Furnace Rocking Arrangement, Charging Fingers, Copper & Steel Water Cooled Panels, Retractable Oxygen Lance etc.
12	Ladle Furnaces	Water Cooled Ladle Roof, Ladle Transfer Car, Ladle, Electrode Mast & Arm, Ferro Alloys Feeding Arrangement etc.
13	Vacuum Degassing Unit	Vessel Tank, Tank Cover with Lifting Arrangement, Transfer Car for Tank Cover etc.
14	AOD	Lance Carriage Assembly. Water Cooled Hood, Water Cooled Ducts, Transfer Cars etc.
15	Casters	Coil Skid, SS Gratings, Tundish, Tundish Transfer Car etc.
16	Fume Extraction Systems	Water Cooled Duct, Air Cooled Duct, Hoppers, Mixing Chambers, FDC etc.
17	Material Handling Equipment	Conveyor Pullies, Shovel Buckets, Hoppers, Chutes, Vibro Feeders, Screens, Parts of Wagon Tippler and Stacker Reclaimers etc.
18	Mining Equipment	Blast Hole Drilling Equipment, Crawler Mounted Power Shovels, Bucket Wheel Excavators, Working Draglines, Spreaders, Conveyors, Crushing and Transfer Plants and Units, Nine Winders, Heading Machines, Cutter Loaders, Ripper Loaders, Rock drill Loaders, Mine Conveyors, Track Mounted Screening Plant, Vibrator Screen etc.
19	Submerged Arc Furnace's	Furnace Shell, Copper Electrode Clamps, etc.

# A Glimpse of Equipment manufactured



TILTING RUNNER FOR DANIELI CORUS



SCRAP BUCKET



LADLE FURNACE ROOF



STRUCTURES



HOOK



LADLE COVER



WATER COOLED HOOD (BOF)



SKIRT WITH WATER COOLED COOLING



HOT AIR DRYER



TURN OVER COOLING BED



TUNDISH



DCT CHUTE



RLC



# A Glimpse of Equipment manufactured



LADLE WITH LIFTING ARM



ELECTRODE MAST ROLLER



TRANSFER CAR WHEEL



SUPPORT STRUCTURES FOR PIPING



WATER COOLED DUCT



LADLE TILTER



ELECTRODE ARM



ELECTRODE ARM



WATER COOLED COPPER PANEL



ROCKER TRACK



SPLIT SHELL/UPPER SHELL



AIR RELIEF VALVE



SCRAP BUCKET



BUCKET FOR BARREL RECLAIMER

## Various Transfer Cars



## Our Workshop

**TOTAL AREA** : 1,20,000 SQ. FT.  
**FABRICATION SHED** : 25000 SQ. FT.  
**WITH EOT CRANE**  
**FABRICATION YARD** : 40000 SQ. FT.  
**OFFICES** : 10000 Sq. FT.

### Handling Facilities

**OHT CRANE 20/5 T** : 2 NOS  
**OHT CRANE 15T** : 1 No.  
**OHT CRANE 10/ 5 T** : 1 No.  
**OHT CRANE 7.5 MT**: 1 No.  
**HO HOIST 5 T** : 1 No.  
**MOBILE CRANE 12 T** : 3 No



## Machine Shop

### Lathe Machines – 7 Nos

Conventional Machines for 4Ft to 30 Ft Long &  
Max 1.2 Mtr Dia Machining

### Boring Machine – 3 Nos

Dia 70, 85 & 90 mm, Table Size 1200 x1200

### Plano Miller - 1 no

With One additional Universal Head  
1.9 Mtr Wide x 6 Mtr Stroke

### VTL – 1 No.

Double Head, Variable Speed, Max Dia 1300 mm

### Drilling +Milling +Shaping1 No each

For Conventional Milling for Small Parts.



# Fabrication Shop

## Plate Rolling — 3 Nos

6mm—80mm thickness and 3000m wide plate

## Hydraulic Press— Capacity 600T

## Pipe bending Machine—2 Nos

1 1/4” to 12” pipe size

## Hot Forgings of End Caps for Pipe line

## Welding

SMAW – MS, BQ, SS & Copper  
TIG - MS, BQ, SS & Copper  
MIG - MS, BQ & SS

## Cutting

Oxy- LPG  
Manual, Semi-automatic  
Automatic (Magnetic Roller Type)  
Plasma – for SS & Copper



# Quality Assurance

## Team

Well Trained Team possessing Level-2 in UT & RT Field

## Raw materials

All Plates above 16 mm UT Tested

All Forgings are stress relieved & UT Tested ( Above 50 mm Dia)

Mill Test Certificates / Sample test for chemical & physical properties of the material.

## Hardness testing

## Ultra Sonic & Radiography Testing of Tube/ Plate joints Magnetic

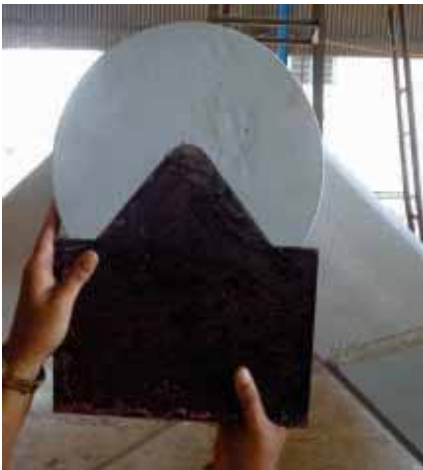
## Particle Testing of the joints

## Paint thickness measurement

## Calibration of instruments

All The instruments used are well calibrated & certified by Govt. Approved Agencies .





# Our Valuable Clients



MUSCAT STEEL , OMAN



GECO, SYRIA



EMIRATES STEEL, UAE



NAT STEEL, SINGAPORE



# CREDENTIALS and CERTIFICATIONS



**Monnet Ispat & Energy Limited**  
Corporate Office : MIDC Phase II, Haveli Road, Ghatigaon, Jamshedpur-831001 (Jharkhand) India  
 Ph : 061-2971 8362/83/84/85/86 Fax : 061-2971 8341  
 E-mail : monnet@monnetgroup.com

OH No. : 000710CT1999LCO00628

**25<sup>th</sup> October 2013**

**TO WHOM SO EVER IT MAY CONCERN**

**Ref: P.O. No MIEL/HO/PRJ-3/SMS/EA/6509/2008 PO-02 Dated 27<sup>th</sup> March 2008**

This To Certify that M/s Prowess International (P) Ltd., Office at A-18; 6<sup>th</sup> Phase, Industrial Area, Adityapur, Jamshedpur-832108 has successfully executed the contract for "Design, Engineering, Manufacturing, Supply, Erection, Testing & Commissioning of Electric Arc Furnace # 2 of 100T Capacity (having weight of Approx. 380 Tonnes) mainly consisting of "Bottom Shell, Water Cooled Top Shell, Roof, Columns, Gantry System, Slewing System mounted on rail carrying weight of approx. 210 Tonnes along with Combi-Car with Steel Ladle & Slag Pot along with its "Fume Extraction System" which consists of Fume Elbow, Combustion Chamber, Water Cooled Ducts and related Electrical, Automation and Instrumentation Systems on single point responsibility" and was responsible for complete integration of the system with 90 MVA Furnace Transformer, Hydraulic Systems, High Temperature Quenching System (HTQ), Bag House, ID Fans and related Auxiliaries at "Monnet Ispat and Energy Ltd. Works", Village & PO: Naharpali, Teh:Kharsia, Raigarh (CG)-836661 on 7<sup>th</sup> October '13. And since commissioning, it's running successfully with due performance level as per our satisfaction.



**Manoj Kaushabh**  
DGM-Projects



Regd. Office & Works : Monnet Ispat, Haveli Road, Raigarh-831 001 (Jharkhand)  
 Ph : 0671-2971 234 to 239, Fax : 0671-2971 230, E-mail : monnet@monnetgroup.com  
 Website : www.monnetgroup.com



**MUSCAT STEEL MELTING LLC**  
شركة مسقط للصلب والحديد

**Ref: MSM/PROJ/0914**  
**Date: 28<sup>th</sup> Sept 2014**

**TO WHOMSOEVER IT MAY CONCERN**

This is to certify that Muscat Steel Melting Co. LLC, Muscat, Oman has received all the equipment for Steel Melt Shop against Agreement No. MSM/PI/SMS/TX/2012/07; Dated-16-03-2012 awarded to Prowess International (P) Ltd., Jamshedpur, India.

Steel Melting Shop with above supplied equipment has been **successfully commissioned** by Prowess International (P) Ltd., Jamshedpur, India on 8<sup>th</sup> September 2014 and since then it is operating satisfactorily.

We wish Prowess International (P) Ltd., Jamshedpur, India all the success in their business & future projects.

For Muscat Steel Melting Co. LLC.




P.O. BOX : 1148, AZABIA, P.C. 136, SULTANATE OF OMAN,  
 TEL : (968) 24446938, FAX : (968) 24446924 E-Mail : [mscatsteel@gmail.com](mailto:mscatsteel@gmail.com) & [msm@mscatsteel.com](mailto:msm@mscatsteel.com)



**BUREAU VERITAS**  
Certification

**PROWESS INTERNATIONAL (P) LTD.**

A-18, 6TH PHASE, INDUSTRIAL AREA, ADITYAPUR,  
JAMSHEDPUR - 832 108, JHARKHAND, INDIA.

Bureau Veritas Certification certify that the Management System of the above organization has been *audited and found to be in accordance* with the requirements of the management system standard detailed below:

Standard

---

**ISO 9001:2008**

Scope of certification

DESIGN, MANUFACTURING AND DESPATCH OF ELECTRIC ARC FURNACES (EAF), LADLE FURNACES (LRF), BASIC OXYGEN FURNACES (BOF) AND EQUIPMENT FOR VACUUM DEOASSING (VD) SYSTEMS, VACUUM OXYGEN DECARBURISATION (VOD) SYSTEMS, ARGON OXYGEN DECARBURISATION (AOD) SYSTEMS, FUME EXTRACTION SYSTEMS (FES), OXYGEN INJECTION SYSTEMS (OIS) AND CARBON INJECTORS FOR STEEL PLANTS

Certification cycle start date: **07 May 2014**  
 Subject to the continued satisfactory operation of the organization's Management System, this certificate expires on: **06 May 2017**

Original certification date: **07 May 2014**

Certificate No. **IND14.0247J** / Version: **1** / Revision date: **07 May 2014**



**Certification Authority**  
RAMESH KOREGAWA  
General Manager



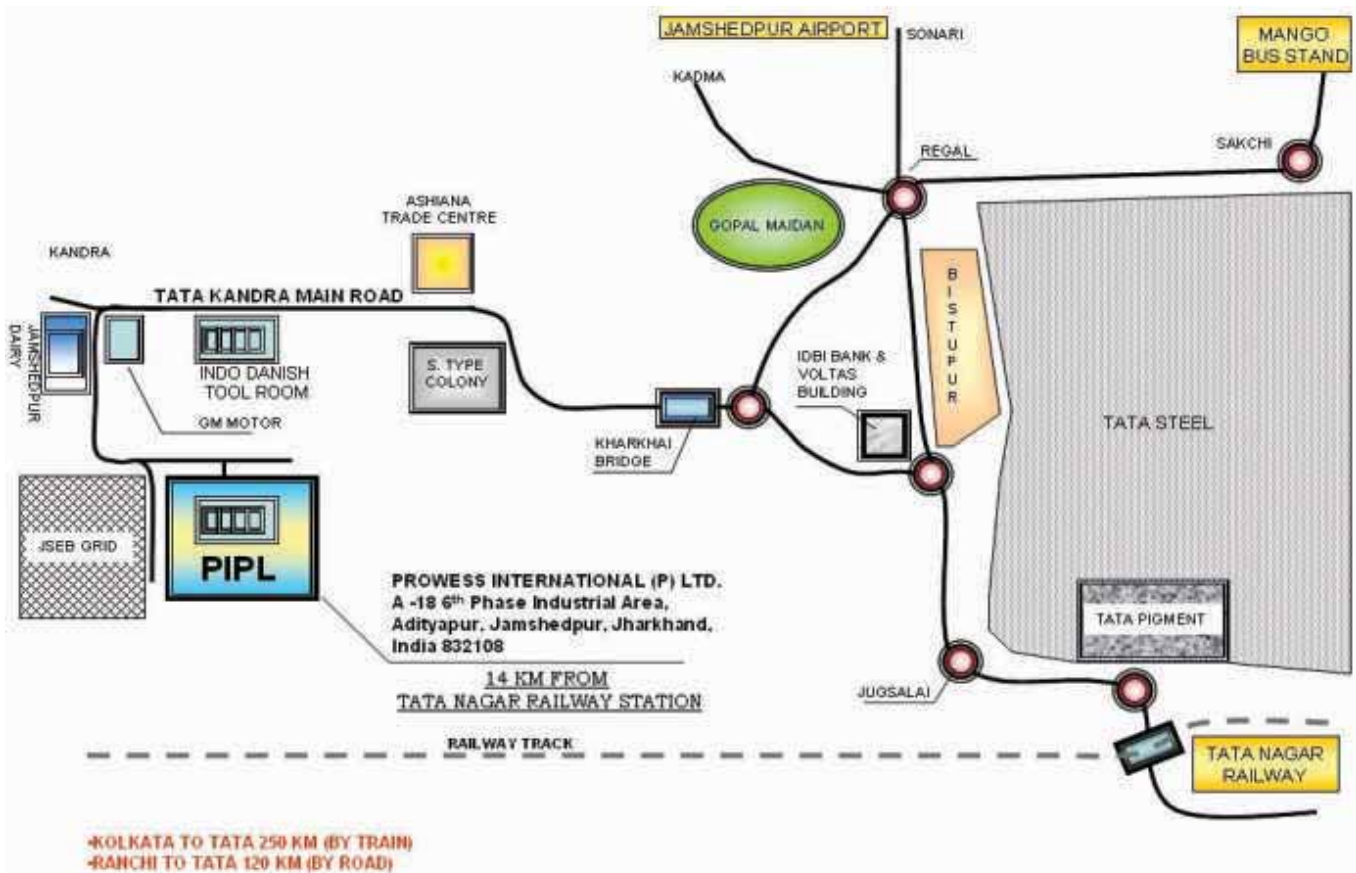
Certification body address:

Branch Office: 1801 Manly Road, Manly, Sydney NSW 1585, United Kingdom

Local office:

Manly Office: 1801 Manly Road, Manly, Sydney NSW 1585, United Kingdom

Further information regarding the scope of this certificate and the responsibility of the management system requirements may be obtained by contacting the organization. To check the certificate validity please call +41 22 8896 8200



## Works

### ProWess International (P) Ltd.

A - 18, 6<sup>th</sup> phase, Industrial area, Adityapur  
 Jamshedpur-832108, Jharkhand, India

### Corporate Office:--

#### ProWess International (P) Ltd,

Office No.517(17A), 5th Floor  
 "THE TERMINUS",B.G.12,Action Area 18  
 New Town, Kolkata 700156, West Bengal, India  
 Website [www.prowessinternational.co.in](http://www.prowessinternational.co.in)

### E-mail :--

[support@prowessinternational.co.in](mailto:support@prowessinternational.co.in);  
[info@prowessinternational.co.in](mailto:info@prowessinternational.co.in)

**Telephone & Fax** :-- 91-657-2203441, Fax: 91-657-2203442

**Web-site** :-- [www.prowessinternational.co.in](http://www.prowessinternational.co.in)